
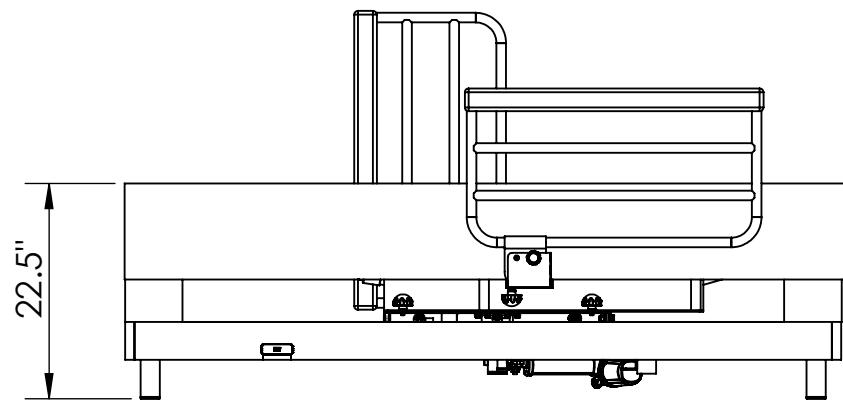
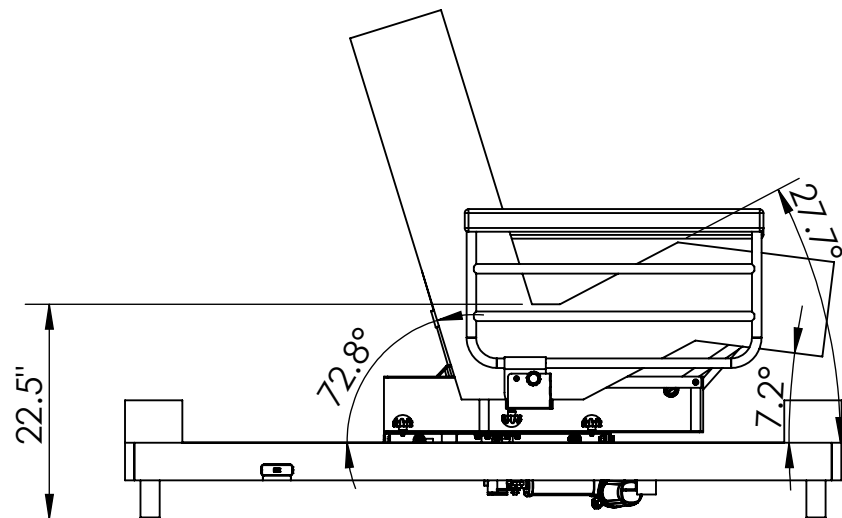


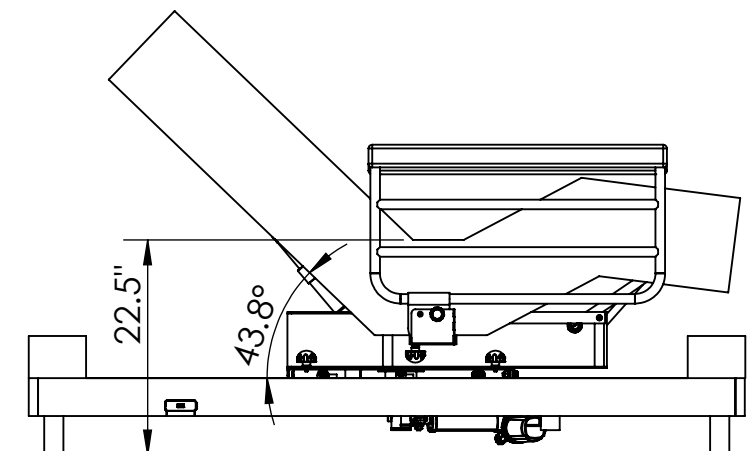
UNLESS OTHERWISE SPECIFIED: DIMENSIONS ARE IN MILLIMETERS SURFACE FINISH: TOLERANCES: LINEAR: ANGULAR:			FINISH:		DEBURR AND BREAK SHARP EDGES		DO NOT SCALE DRAWING		REVISION 001			
												
							TITLE:					
							INDEPENDENCE BED-TWIN					
							DWG NO.			A3		
							INDETWIN-0001					
							WEIGHT:		SCALE:1:20		SHEET 1 OF 2	
NAME	SIGNATURE	DATE										
DRAWN E. NAPALA		25NOV22										
CHK'D												
APPV'D												
MFG												
Q.A					MATERIAL:							



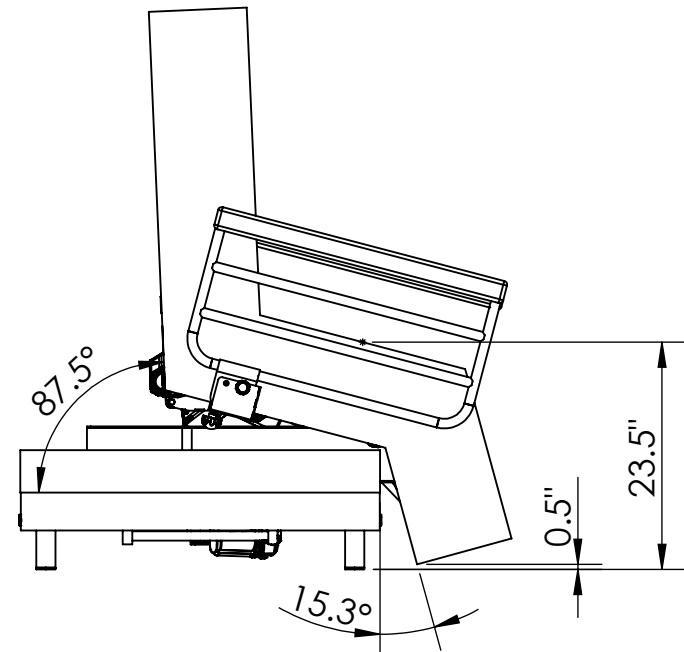
FLAT POSITION



MAX INCLINE POSITION

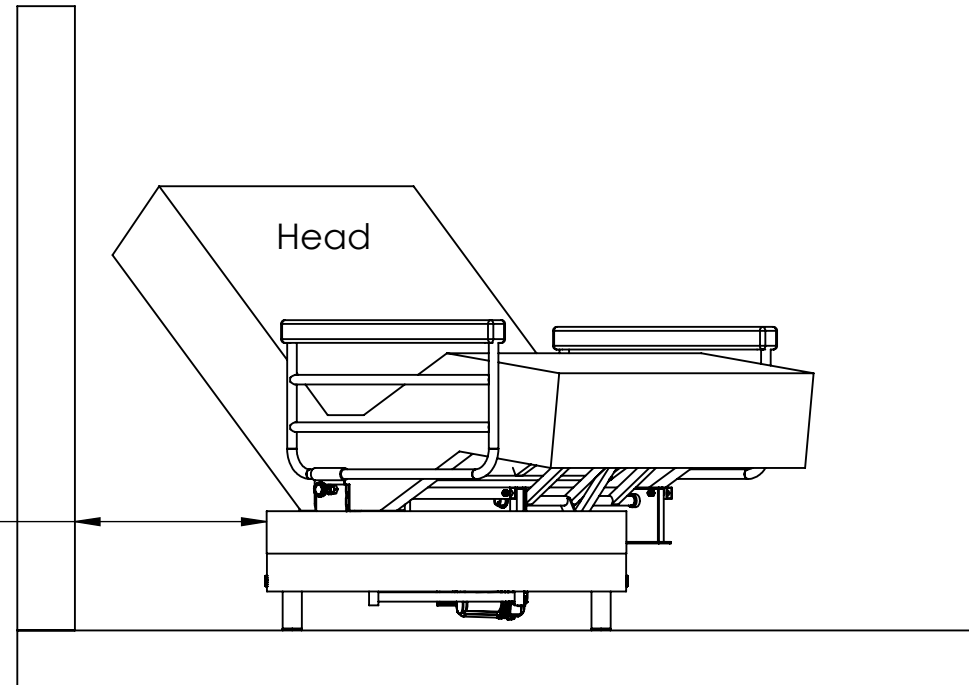


ROTATE MODE



SEAT UP

Recommend Wall to Bed Distance at Head: 20"



POSITION	MOTOR STROKES (in mm)			
	HEAD (315-395-435)	FOOT (315-377-425)	ROTATE (315-435)	SEAT (260-320)
FLAT	315	377	315	260
MAX INCLINE	435	425	315	260
ROTATE MODE	395	425	315-435	260
SEAT UP	435	425	435	320

UNLESS OTHERWISE SPECIFIED: DIMENSIONS ARE IN MILLIMETERS		FINISH:		DEBURR AND BREAK SHARP EDGES		DO NOT SCALE DRAWING		REVISION 001	
SURFACE FINISH:								INDEPENDENCE BED-TWIN	
TOLERANCES:									
LINEAR:						TITLE:			
ANGULAR:						DRAWN: E. NAPALA		DATE: 25NOV22	
						MFG:			
						MATERIAL:			
						Q.A:			
						WEIGHT:			
						DWG NO. INDETWIN-0002		A3	
						SCALE:1:20		SHEET 2 OF 2	